



300 Series Regulators

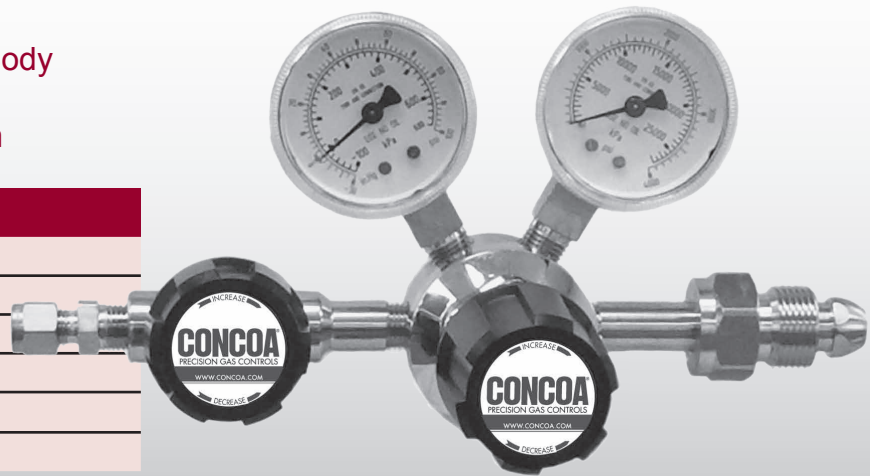
322 SERIES

The 322 Series regulators are intended for primary pressure control of ultra-high purity and corrosive gases in applications where minor fluctuations in outlet pressure due to diminishing inlet supply can be tolerated.

- Single Stage
- 316L Stainless Steel Barstock Body
- Four Port Configuration
- 316L Stainless Steel Diaphragm

Typical Applications

- Gas and liquid chromatography
- High purity carrier gases
- Zero, span, and calibration gases
- High purity chamber pressurization
- Liquefied hydrocarbon gas control
- Control of cryogenic gases



322 2331-580 shown

Features

- CAPSULE® Seat**
Increased serviceability and life
- 316L Stainless Steel Diaphragm**
No inboard diffusion
- Low Wetted Surface Area**
Minimal purge requirements
- Field-Adjustable Pressure Limit**
Safeguard downstream equipment
- Convolute Diaphragm**
Smooth pressure changes
- Compact Design**
Easily transported and integrated into systems
- 316L Stainless Steel Barstock Body**
Increased corrosion resistance
- Rear Panel-Mountable**
Easy installation
- Pressure Ranges 0-15 to 0-500 PSIG (0-1 to 0-35 BAR)**
Broad range of applications

Materials

- Body**
316L stainless steel barstock
- Bonnet**
Chrome-plated die-cast zinc
- Seat**
PTFE
PCTFE with 3500 PSIG (240 BAR) or 4500 PSIG (310 BAR) inlet option
- Filter**
Patented 10 micron 316 mesh
- Diaphragm**
316L stainless steel
- Internal Seals**
PTFE

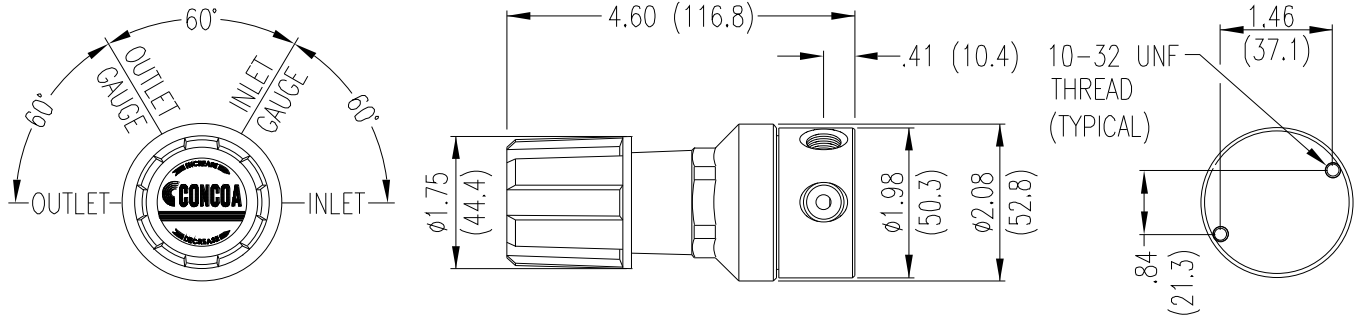
Specifications

- Maximum Inlet Pressure**
3000 PSIG (210 BAR)
3500 PSIG (240 BAR) optional
4500 PSIG (310 BAR) optional
- Temperature Range**
-40°F to 140°F (-40°C to 60°C)
- Gauges**
2" (53mm) diameter
Chrome-plated brass case
Stainless steel internals
- Ports**
1/4" FPT
- Helium Leak Integrity**
1 x 10⁻⁸ scc/sec
- Cv**
0.1
See page 202 for flow curves
- Weight (322 2331-580)**
3.0 lbs. (1.34 kg)

300 Series Regulators



Installation Dimensions



Ordering Information

322	A	B	C	D	-CON	Options	
Series 322	Outlet Pressure	Outlet Gauge	Inlet Gauge	Outlet Assemblies	Assembly Gauges	Inlet Connections	Installed Options
	1: 0-15 PSIG (0-1 BAR)*	30"-0-30 PSIG/ -1-0-2 BAR	0: None	0: 1/4" FPT port	0: Bare body	000: 1/4" FPT	B: Protocol alarm station with pressure switch gauges
	2: 0-50 PSIG (0-3.5 BAR)	30"-0-100 PSIG/ -1-0-7 BAR	3: 0-4000 PSIG/ 0-310 BAR	1: 1/4" MPT	1: Standard assembly (PSIG/kPa gauges)	TF2: 1/8" tube	C: Protocol switchover station
	3: 0-100 PSIG (0-7 BAR)	30"-0-200 PSIG/ -1-0-14 BAR	5: 0-1000 PSIG/ 0-70 BAR	2: 1/4" tube fitting	2: Standard assembly (BAR/PSIG gauges)	TF4: 1/4" tube	E: Protocol alarm station with intrinsically safe transducer for hazardous environments
	4: 0-250 PSIG (0-17 BAR)	0-400 PSIG/ 0-14 BAR	6: 0-300 PSIG/ 0-21 BAR	3: Diaphragm valve 1/4" tube fitting		TF6: 3/8" tube	H: Protocol switchover alarm station with pressure switch gauges
	5: 0-500 PSIG (0-34 BAR)	0-1000 PSIG/ 0-70 BAR	7: 0-400 PSIG/ 0-27 BAR	4: Diaphragm valve 1/4" MPT		M06: 6mm tube	J: Protocol alarm station with standard transducer for non hazardous environments
	7: 0-150 PSIG (0-10 BAR)	30"-0-200 PSIG/ -1-0-14 BAR	8: 0-6000 PSIG/ 0-415 BAR*	5: Needle valve 1/4" MPT		CGA DIN 477 BS 341 and others available	K: Protocol switchover alarm station with standard transducer for non hazardous environments
	*Not available with 4500 PSIG (310 BAR) maximum inlet pressure		G: 0-4000 PSIG/ 0-275 BAR [†]	6: 1/8" tube fitting			M: Protocol station
			Maximum inlet pressure 4500 PSIG (310 BAR) with PCTFE Seat CAPSULE®	7: 3/8" tube fitting			Q: Protocol purge station
			[†] Maximum inlet pressure 3500 PSIG (240 BAR) with PCTFE seat CAPSULE	8: Diaphragm valve 1/8" tube fitting			T: Tee purge*
				9: Diaphragm valve 1/4" FPT			X: Protocol switchover alarm station with intrinsically safe transducer for hazardous environments
				M: 6mm tube fitting			*Not available with 4500 PSIG (310 BAR) max inlet pressure
				S: Diaphragm valve 6mm tube fitting			

Related Options

Order No.	Description
835 0204	Rear panel mount kit



Regulator Flow Curves

Flow Curves for 302, 304, 305, 307, 322, 324, 327, 401, 402, 408, 420, 422, 426, 427, 428, 429 Series

